

The symbol of replace judgment

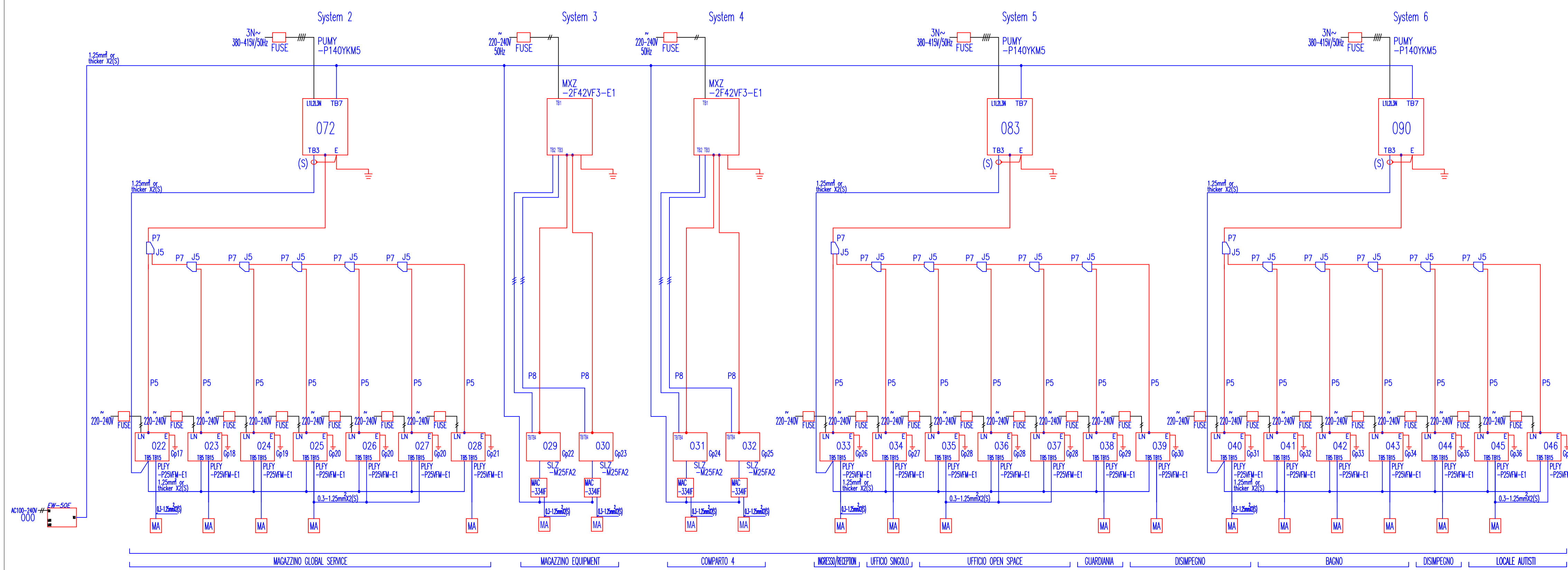
Symbol	Definition
#1	Standard
#2	Usable (Unit performance will be affected.)
#3	Usable (Refrigerant charge will be limited.)
#4	Usable (Piping length will be limited.)
#5	Piping length and vertical separation will be limited.

PIPING LIST

SYMBOL	BRANCH PIPE	MODEL NAME
J1	CMY-Y100VBK3	
J2	CMY-Y202S-G2	
J3	CMY-Y102LS-G2	
J4	CMY-Y102SS-G2	
J5	CMY-Y202S-G2	
J6	CMY-Y62-G-E	

SYMBOL	LIQUID PIPE/GAS PIPE	SIZE
P1		22.2
P2		9.52 / 22.2
P3		15.88 / 28.58
P4		9.52 / 22.2
P5		6.35 / 12.7
P6		9.52 / 19.05
P7		9.52 / 15.88
P8		6.35 / 9.52

Address: Additional Refrigerant



The symbol of replace judgment

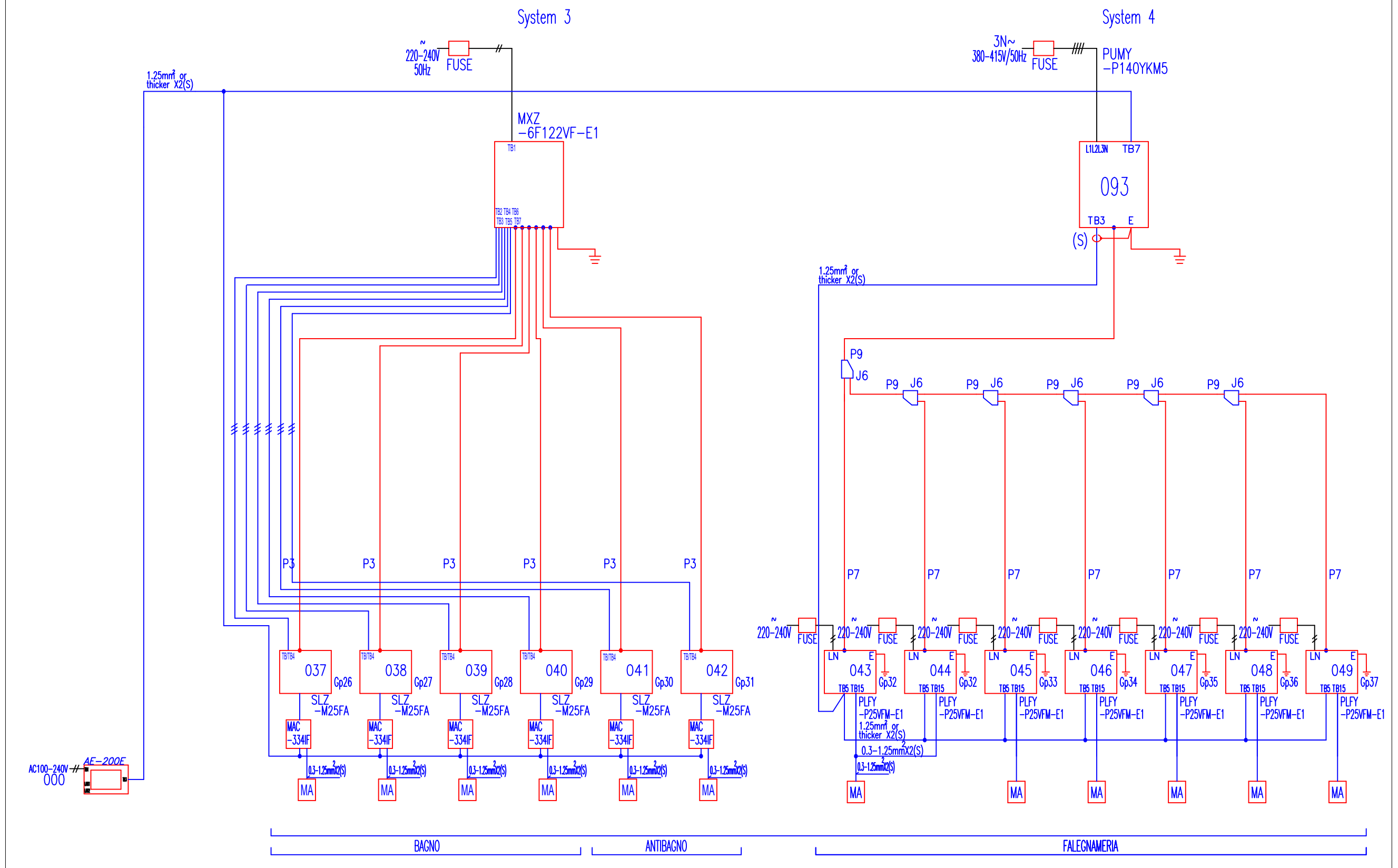
Symbol	Definition
#1	Standard
#2	Usable (Unit performance will be affected.)
#3	Usable (Refrigerant charge will be limited.)
#4	Usable (Piping length will be limited.)
#5	Piping length and vertical separation will be limited.

PIPING LIST

SYMBOL	BRANCH PIPE	MODEL NAME
J1	CMY-Y200VBK2	
J2	CMY-Y302S-G2	
J3	CMY-Y102LS-G2	
J4	CMY-Y102SS-G2	
J5	CMY-Y202S-G2	
J6	CMY-Y62-G-E	

SYMBOL	LIQUID PIPE/GAS PIPE	SIZE
P1		28.58
P2		12.7 / 28.58
P3		6.35 / 9.52
P4		19.05 / 34.93
P5		9.52 / 22.2
P6		15.88 / 28.58
P7		6.35 / 12.7
P8		9.52 / 19.05
P9		9.52 / 15.88
P10		12.7 / 28.58

Address: Additional Refrigerant



The symbol of replace judgment

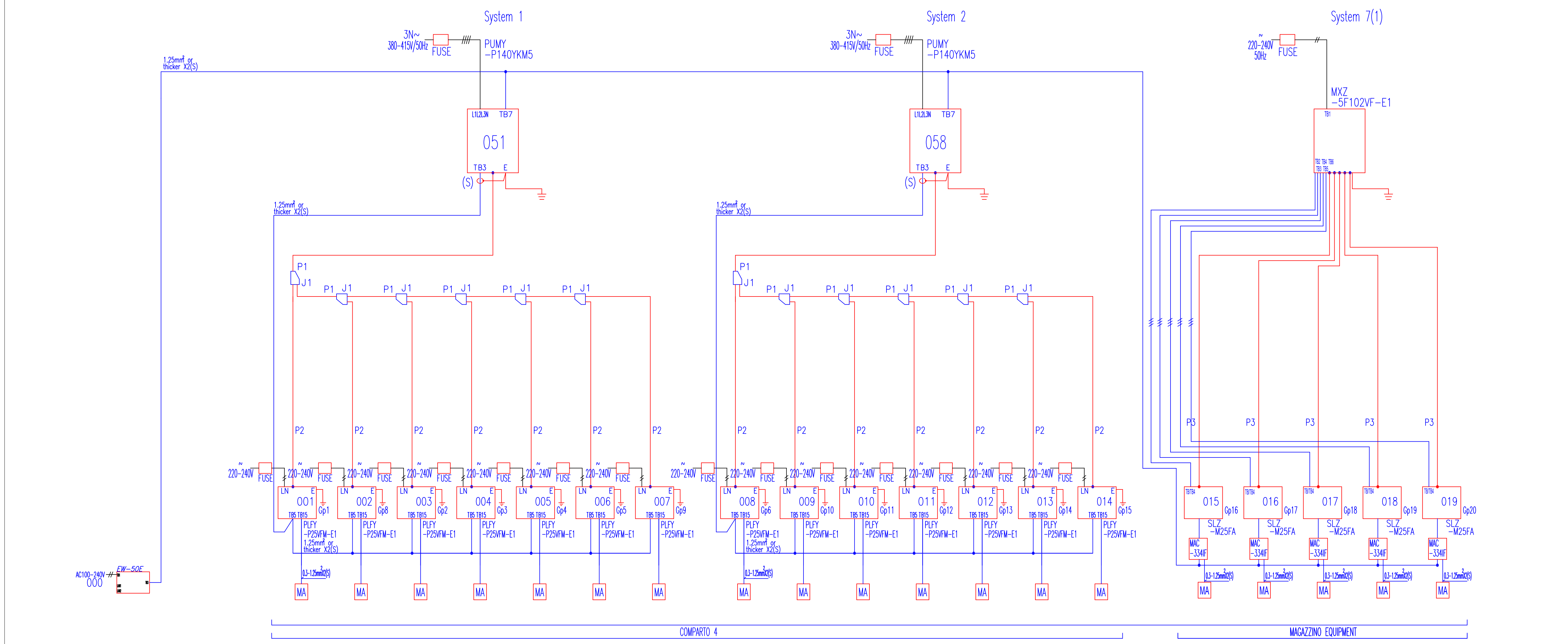
Symbol	Definition
#1	Standard
#2	Usable (Unit performance will be affected.)
#3	Usable (Refrigerant charge will be limited.)
#4	Usable (Piping length will be limited.)
#5	Piping length and vertical separation will be limited.

PIPING LIST

SYMBOL	BRANCH PIPE	MODEL NAME
J1	CMY-Y62-G-E	

SYMBOL	LIQUID PIPE/GAS PIPE	SIZE
P1		15.88
P2		6.35 / 12.7
P3		6.35 / 9.52

Address: Additional Refrigerant



00 2024/03/22 Prima emissione SI
 REV DATA Date DESCRIZIONE Description Drawn by Appr. by
 PROGETTO Project
CITTADELLA DELLA LOGISTICA - CRESPINA LORENZANA (PI)
 TITOLO DOCUMENTO Document Title
IMPIANTO DI CLIMATIZZAZIONE SCALA: Scale
UFFICI OPERATIVI, UFFICI/GUARDIANA E LOCALE AUTISTI- PIANO TERRA F.S.
 COMMESSA LIVELLO ATTIVITA' PROGRESSIVO TIPO REV. TECNICO
 JOB: Activity Number Type Rev. Designer
23P08 D HC 015 GA - 00

Ing. Roberto S.P.A.
 Via Belfiore, 57
 50020 Castelluccio della Pescaia (PI) Italy
 Phone: +39 0573 88 500
 www.techbau.it